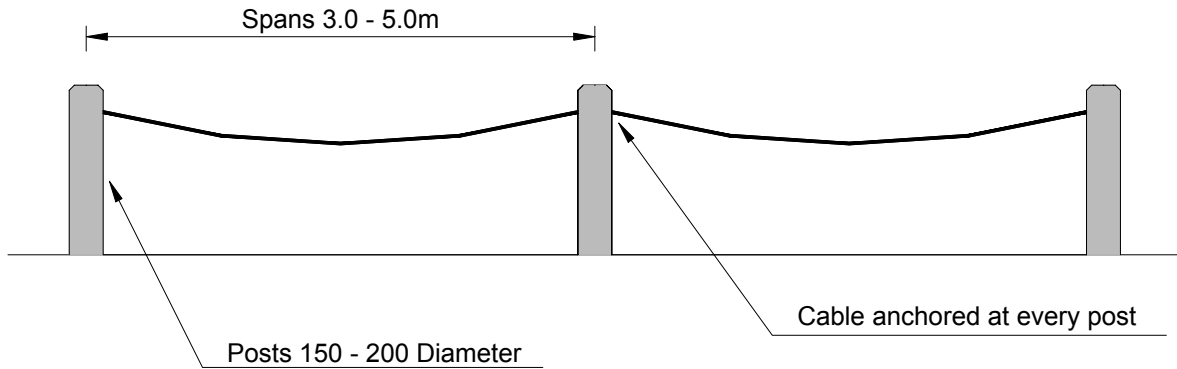


### Parkland Products



Please specify required cable diameters.

#### Technical Data

Join – T – Lock Cable Gates & Fences are a fast economical way to secure large areas of land from unauthorized vehicle access with the minimum of installation cost.

Using the unique Join – T – Lock installation system every post becomes a locked gate so that should the fence ever be cut, not more than a single span can be removed. The cable is epoxy anchored at every post!

Our Cable Gate system has been developed in cooperation with a number of Government bodies and combines a fully hot dipped galvanized lock system with a factory swaged cable gate.

#### Specifications

Cable diameters and types:  
12 – 20 mm diameter galvanised strand wire

Post Spacings:  
3.0 – 5.0 m as required.

Post Types:  
Refer to Bollards brochure (Page 3) for bollard selection. Cable installed 125 mm below post top. Recommended post diameter not less than 150mm.

Lock Requirements:  
Designed for Lockwood 245 Series or equivalent: 38mm opening x 9.5mm diameter x 50mm case width.

#### Contact Information:

Join - T - Lock Pty Ltd  
Lot 5 Edney Lane  
Coniston NSW 2500

ABN 24 963 930 017

Phone: 02 4256 4767  
Fax: 02 4256 4558  
Email: [support@jointloc.com.au](mailto:support@jointloc.com.au)  
Web: [www.jointloc.com.au](http://www.jointloc.com.au)

