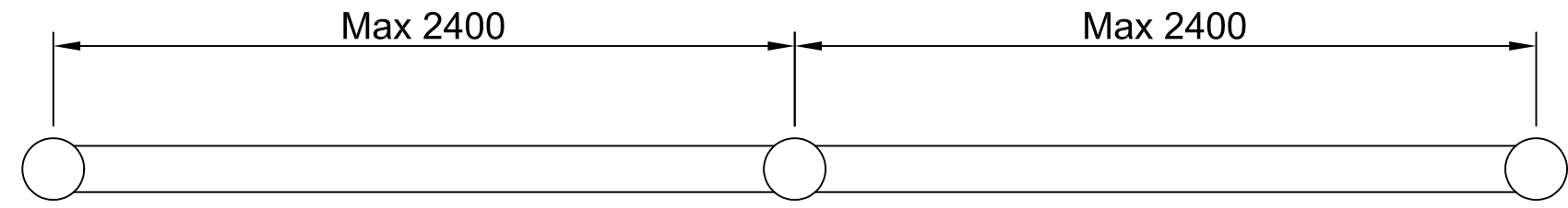


- Notes:
1. All posts 200mm Diam Slash Pine H4 ACQ / CCA Perfect Rounds.
 2. All rails 150mm Diam Slash Pine H4 ACQ / CCA Perfect Rounds.
 3. Typical Footings to be 400mm Diam x 600mm Deep filled with 20MPa Concrete.
 4. 50mm Soil Layer to Top of Footing.
 5. All posts and rails to receive 2 coats Intergrain Dimension 4 / Natural Stain as per manufacturers recommended installation instructions.
 6. All connectors to be N16 Galvanised deformed bar with 200mm embedment connected using Join - T - Lock standard procedures.
 7. Client to remove or provide convenient site consolidation area for any construction generated overburden.
 8. This design remains the property of Join-T-Lock. ABN No. 24 963 930 017.

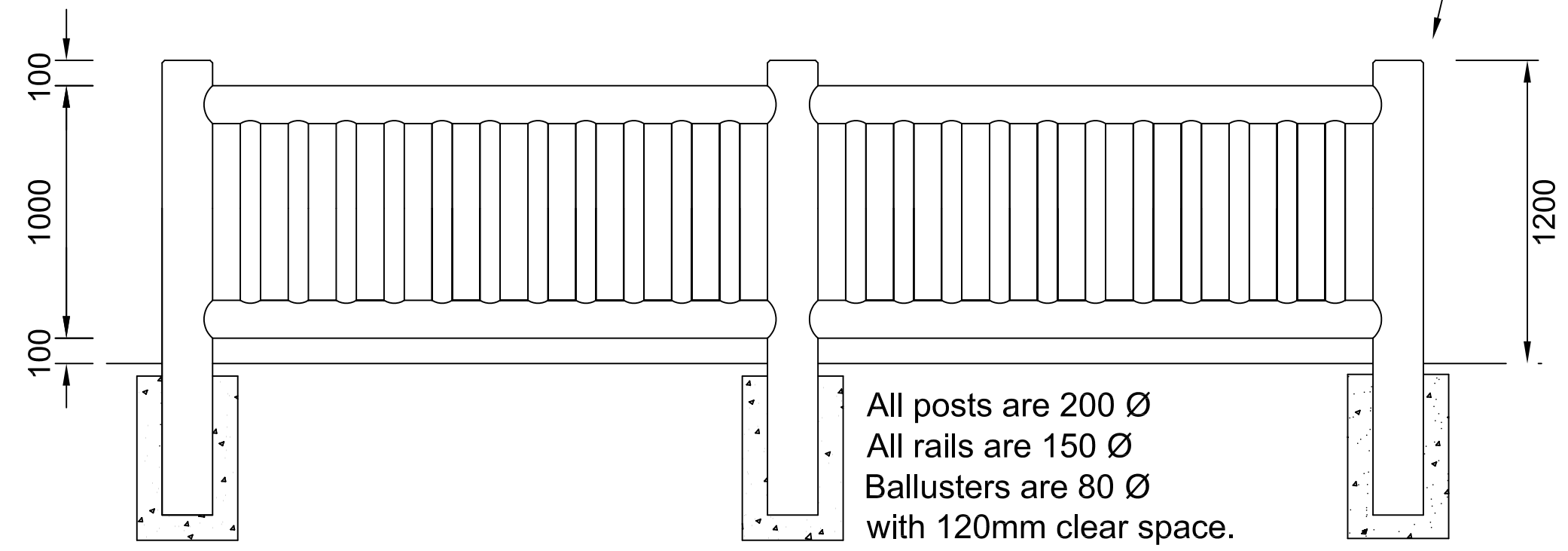
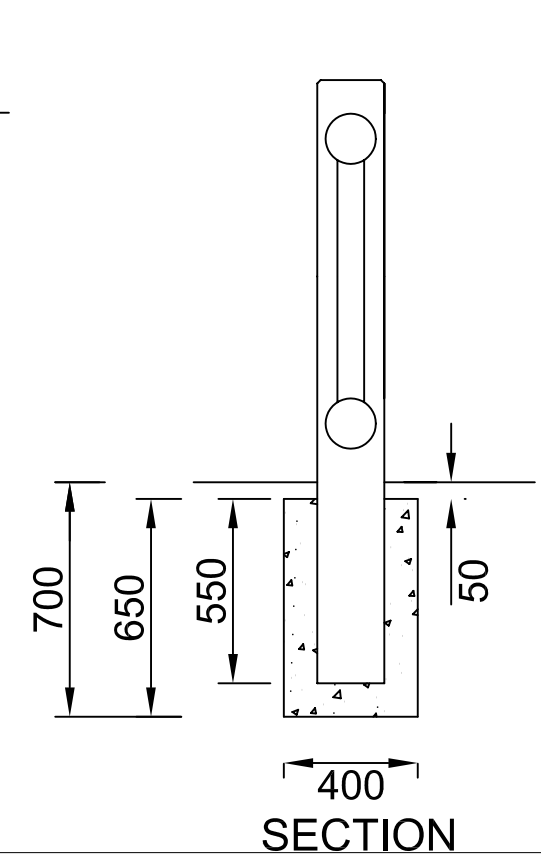
DRAFT - TO BE APPROVED BY CLIENT PRIOR TO FURTHER INVESTIGATIONS/ COMMENCEMENT.

CLIENT SIGNATURE

Individual Site Assessment Required for Each Site to Determine Footing Detail



PLAN



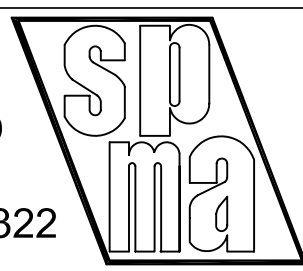
All posts are 200 Ø
 All rails are 150 Ø
 Ballusters are 80 Ø with 120mm clear space.

ELEVATION

REV	DRN	DATE	DESCRIPTION	CHK	APP
A	LT	28.01.04	SPECIFICATION		

CLIENT
JOIN - T - LOCK
 LOT 5 EDNEY LANE
 CONISTON NSW 2500
 Ph:4256 4767 Fax:4256 4558

PRINCIPAL CONSULTANTS
SPMA P/L
 SUITE 2, 11 FOREST ROAD
 HURSTVILLE NSW 2220
 Ph: 9588 9222 Fax: 9588 9322



DRAWING NAME
TYPE A - BALUSTRADED
 Suitable for all applications covered by both BCA & AS 2156.2. Track Class 1-5 Installation.

CONTRACT No.
04-116
 DRAWING No.
04-116-SD01
 SHEET NO. **A**